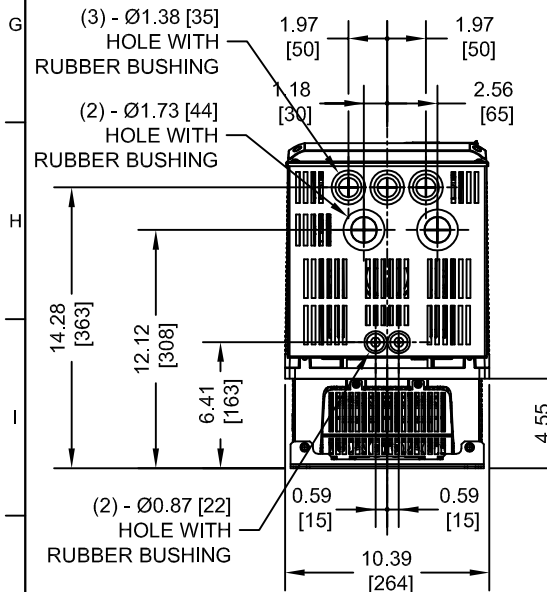


THE DIMENSIONS SHOWN ARE FOR AN IP00 OPEN TYPE DRIVE THAT HAS BEEN CONVERTED TO A NEMA TYPE 1 DRIVE BY ADDING THE PARTS FROM NEMA 1 KIT PART NUMBER EZZ022745B



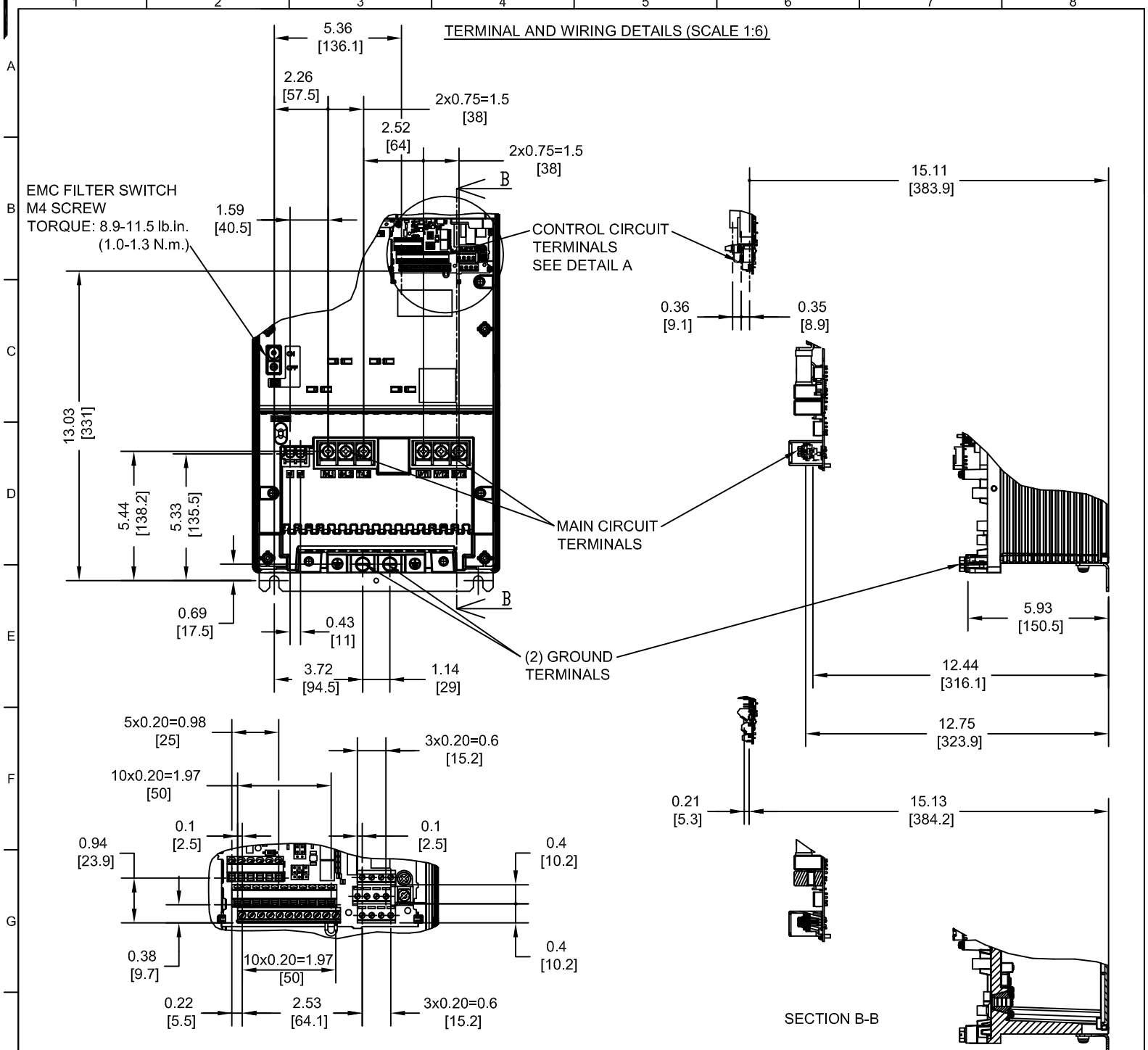
MODEL # CIMR-ZU	VOLTAGE 3-PHASE (VAC)	OUTPUT CURRENT (A)	WEIGHT LBS (Kg)	WEIGHT WITHOUT EMC FILTER LBS (Kg)	HEAT LOSS (W) (Fc=4kHz)		
					INT	EXT	TOT
2□0042□□□	200/240	42	77 (35)	75 (34)	168	854	1022
2□0054□□□		54	77 (35)	75 (34)	195	1037	1232
2□0068□□□		68	84 (38)	82 (37)	225	1295	1520
2□0081□□□		81	84 (38)	82 (37)	238	1420	1658
4□0040□□□	380/480*	40	77 (35)	75 (34)	174	877	1051
4□0052□□□		52	77 (35)	75 (34)	209	1109	1318
4□0065□□□		65	84 (38)	82 (37)	240	1369	1609
4□0077□□□		77	84 (38)	82 (37)	251	1479	1730

NOTES:
 □ DENOTES A-Z
 □□ DENOTES AAA-ZZZ
 * - FOR MODELS WITHOUT INTEGRAL EMC FILTER, VOLTAGE RATING IS 380/500.

INT=INTERNAL COMPONENTS
 EXT=EXTERNAL HEATSINK
 TOT=TOTAL

FOR ADDITIONAL DETAILS AND SPECIFICATIONS, CONSULT MANUAL

TOLERANCES / REFERENCES:			DRAWN: J. MATTAS CHECKED: J. PIOTROWSKI TECH: J. BORJA APPROVED: J. CAIRO ORIGINAL DESIGN: -	DATE: 3-12-15 DATE: 3-18-15 DATE: 3-19-15 DATE: 4-30-15 DATE: -	TITLE: Z1000U DIMENSION DRAWING FRAME SIZE 2 NEMA TYPE 1 ENCLOSURE 2□0042 - 2□0081, 4□0040 - 4□0077
UNITS: IN[mm]	SCALE: 1:10		THIS DOCUMENT AND INFORMATION CONTAINED IN IT ARE CONFIDENTIAL, AND CANNOT BE COPIED OR DISCLOSED IN WHOLE OR IN PART WITHOUT THE EXPRESS WRITTEN CONSENT OF YASKAWA AMERICA, INC.	SIZE: A REVISION: R00 DRAWING #: DD.Z1KU.FR2.N1	PAGE: 1 of 3



DETAIL A (SCALE 1:3)
CONTROL CIRCUIT TERMINALS

TERMINAL AND WIRE SPECIFICATIONS FOR
MAIN CIRCUIT AND GROUND

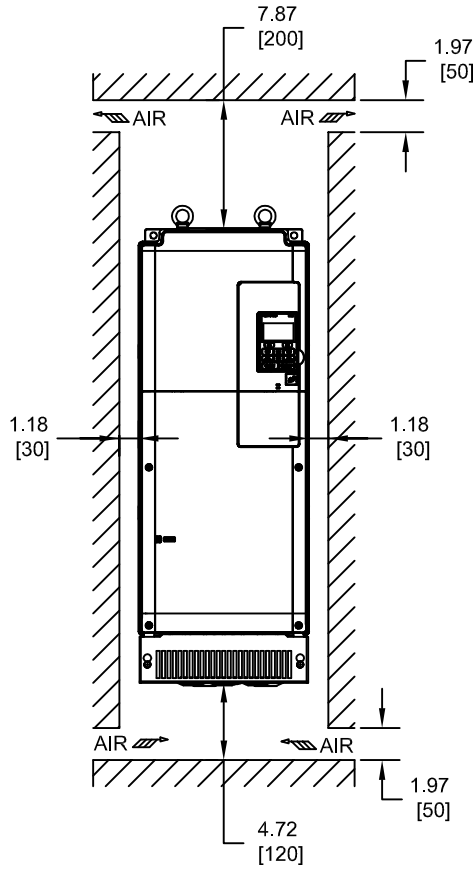
MODEL # CIMR-ZU	TERMINAL SYMBOL	TERMINAL SCREW	CLAMPING TORQUE lb.in.(N.m.)	WIRE RANGE AWG(mm ²)
2□0042	R/L1, S/L2, T/L3	M6	35.4 TO 53.1 (4 TO 6)	10 TO 4 (6 TO 25)
2□0054	U/T1, V/T2, W/T3			
2□0068	p1, n1	M4	8.9 TO 12.4 (1 TO 1.4)	14 TO 12 (2.5 TO 4)
2□0081				
4□0040	⊕	M8	78.1 TO 95.5 (8.8 TO 10.8)	10 TO 4 (6 TO 25)
4□0052				
4□0065				
4□0077				

NOTE: REFER TO APPLICABLE CODES FOR PROPER WIRE TYPE AND SIZE

FOR ADDITIONAL DETAILS AND SPECIFICATIONS, CONSULT MANUAL

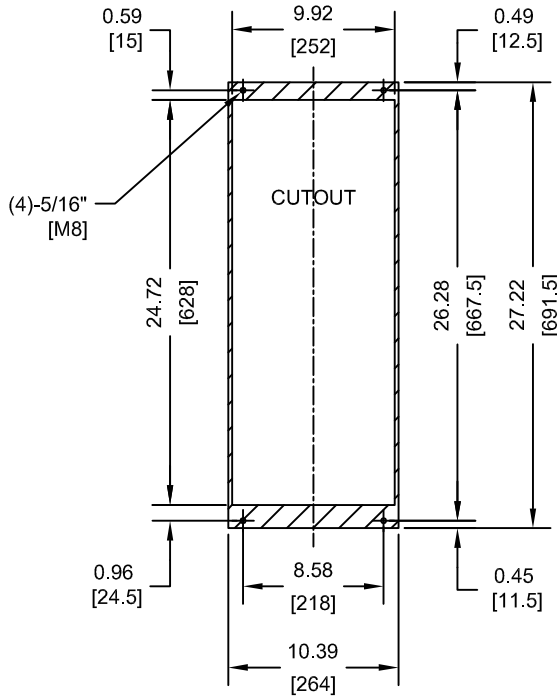
TOLERANCES / REFERENCES:			DRAWN: J. MATTAS DATE: 3-12-15	TITLE: Z1000U DIMENSION DRAWING FRAME SIZE 2 NEMA TYPE 1 ENCLOSURE
UNITS: IN[mm]	SCALE: BY VIEW		CHECKED: J. PIOTROWSKI DATE: 3-18-15	TECH: J. BORJA DATE: 3-19-15
		THIS DOCUMENT AND INFORMATION CONTAINED IN IT ARE CONFIDENTIAL, AND CANNOT BE COPIED OR DISCLOSED IN WHOLE OR IN PART WITHOUT THE EXPRESS WRITTEN CONSENT OF YASKAWA AMERICA, INC.	APPROVED: J. CAIRO DATE: 4-30-15	ORIGINAL DESIGN: - DATE: -
		DRAWING #: DD.Z1KU.FR2.N1		

MINIMUM INSTALLATION CLEARANCES (SCALE 1:12)



NOTE:
FOR SIDE-BY-SIDE MOUNTING
CONSULT MANUAL

PANEL CUTOUT FOR EXTERNAL HEATSINK
MOUNTING CONFIGURATION (SCALE 1:12)



NOTES:
1. EXTERNAL HEATSINK
CONFIGURATION REQUIRES
MOUNTING KIT
2. EXPOSED HEATSINK
RECOMMENDED CLEARANCE
D=5.12"

FOR ADDITIONAL DETAILS AND SPECIFICATIONS, CONSULT MANUAL

TOLERANCES / REFERENCES:			DRAWN: J. MATTAS	DATE: 3-12-15	TITLE: Z1000U DIMENSION DRAWING		
			CHECKED: J. PIOTROWSKI	DATE: 3-18-15	FRAME SIZE 2 NEMA TYPE 1 ENCLOSURE		
		THIS DOCUMENT AND INFORMATION CONTAINED IN IT ARE CONFIDENTIAL, AND CANNOT BE COPIED OR DISCLOSED IN WHOLE OR IN PART WITHOUT THE EXPRESS WRITTEN CONSENT OF YASKAWA AMERICA, INC.			TECH: J. BORJA	DATE: 3-19-15	2□0042 - 2□0081, 4□0040 - 4□0077
UNITS: IN[mm]	SCALE: BY VIEW	APPROVED: J. CAIRO		DATE: 4-30-15	SIZE: A	REVISION: R00	PAGE: 3 of 3
		ORIGINAL DESIGN: -		DATE: -	DRAWING #: DD.Z1KU.FR2.N1		